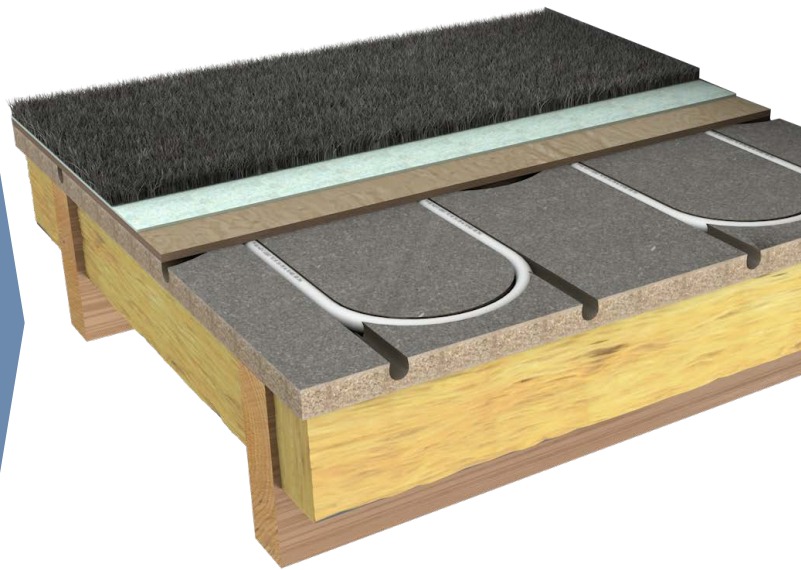




## Structural Board - 2400x600x22mm Floor Construction - FC5a

### KEY BENEFITS >>>

- > No height build up as installed on top of joists and replaces floor boards.
- > Foiled or non-foiled
- > Requires a 6mm Ply cover
- > Suitable for any floor finish
- > Improves thermal performance and response times
- > Can be used in conjunction with acoustic separating intermediate floors
- > Dry construction method
- > Suitable for residential and commercial projects



### < OVERVIEW

The P5 moisture resistant 22mm T&G pre-grooved structural grade chipboard replaces existing or new build floor boards and is ideal for retrofit installations. The boards can be supplied with or without foil and can be used with any type of heat source.

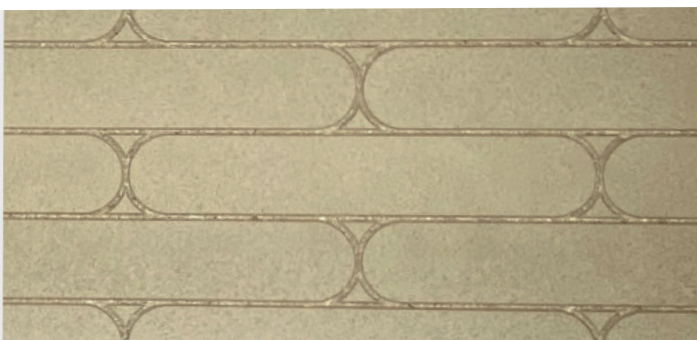
The boards are installed in the same method as a standard chipboard floor by gluing the T&G and screwing boards to the joists.

- 2400x600x22mm P5 MR Chipboard
- Maximum Outputs :- 55w/m<sup>2</sup>
- Flow Temperature :- 48 - 60°C
- Panel Weight :- 22.5kg
- Thermal conductivity :- 0.14W/mK
- Moisture Absorption :- 0.6%
- FlexiPex 12mm Pipe

### PRODUCT LIST >

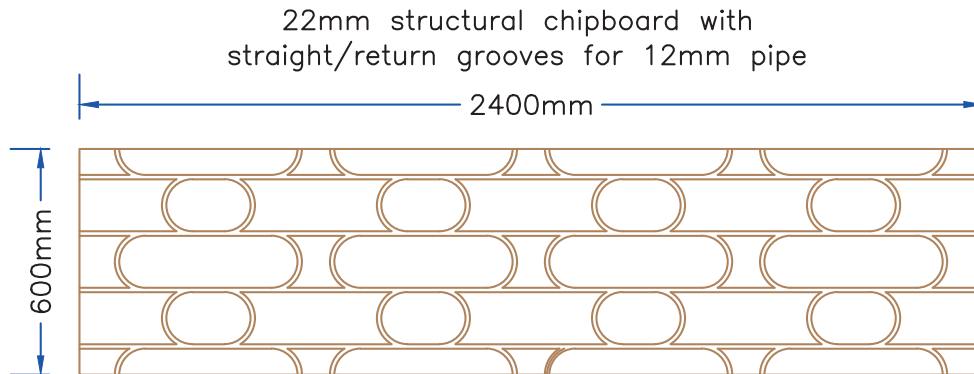
#### Overboard - Slim 12 light

SIZE	QTY	PRODUCT CODE
Non-foiled Structural Board (2400x600x22mm)	1	22MCHIP
Foiled Structural Board (2400x600x22mm)	1	22MCHIPF



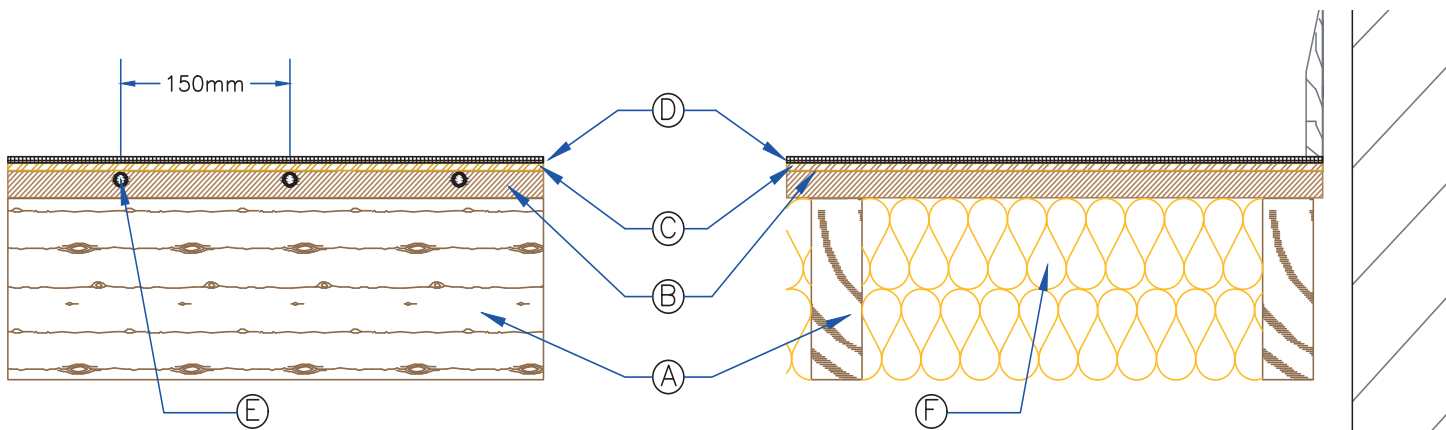


## Structural Board Floor Construction - FC5a



### PLAN VIEW

### SECTION OF FLOOR BUILD UP



- A > Timber joist (Max 600mm c/c's)**
- B > 22mm Pre-Grooved P5 Moisture Resistant Chipboard**  
(Foil Faced or Non-Foil Faced). T&G Edges
- C > 6-12mm Intermediate ply layer - bonded and screwed/  
nailed to chipboard layer. Fixings every 150mm-300mm  
depending on floor finish**
- D > Floor Finish.**
- E > 12mm FlexiPEX pipe - 150mm c/c's**
- F > Insulation - Thickness to comply with building regulations**



# Structural Board Floor Construction - FC5a

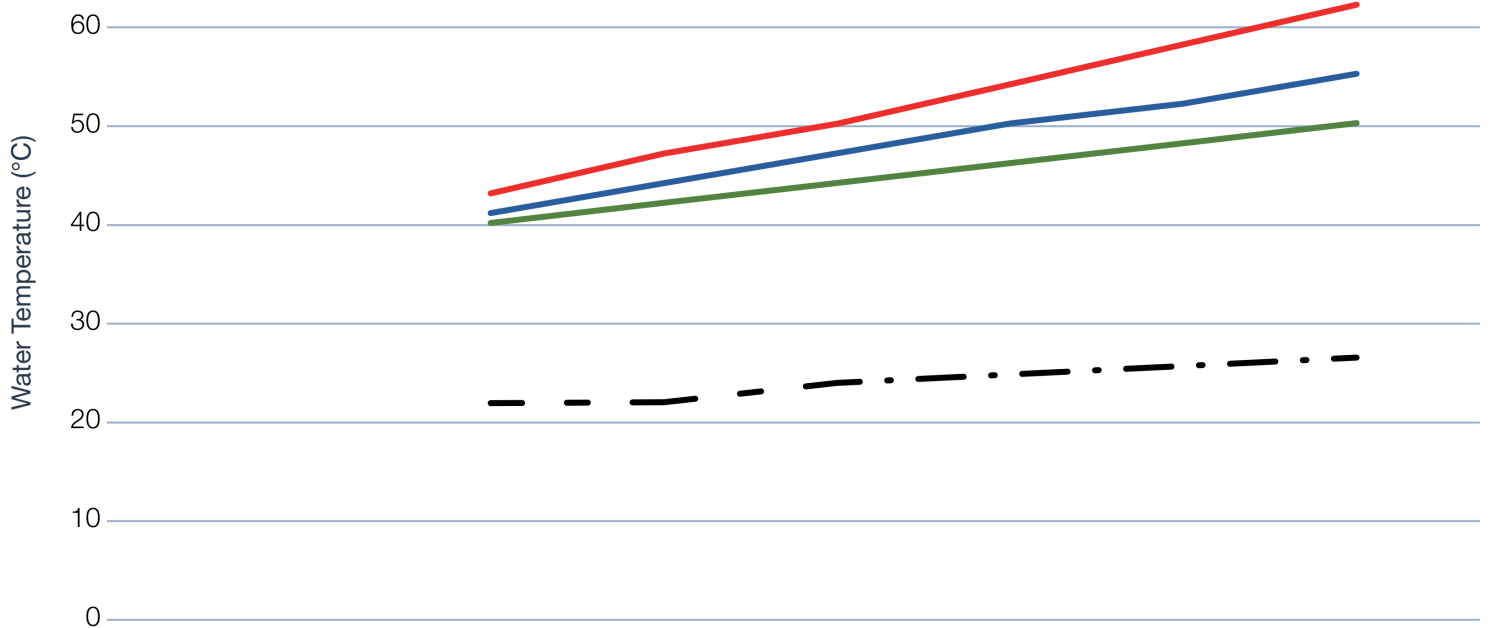
## OUTPUTS/WATER TEMPERATURES >

The available output of the system will vary depending on the overall resistance of the floor finish. The table below is for guidance only and actual outputs and temperatures may vary slightly.

## FLOOR FINISHES >

The table below summarises acceptable thermal resistance for typical floor finishes adhering to the BS EN 1264 Part 2. Tog value is a textile industry measure of thermal resistance 1 tog = 0.10m<sup>2</sup> K/W

**Heat output / Flow water Temperature (Structural Board)**



	Output w/m <sup>2</sup>						
	20	30	40	50	60	70	
Tile / Stone	40	42	43	46	48	51	Water Temp (°C)
Laminate / Vinyl	41	44	47	50	52	55	
Carpet	43	47	50	54	58	61	
Floor Temp	22	22	24	25	26	27	